

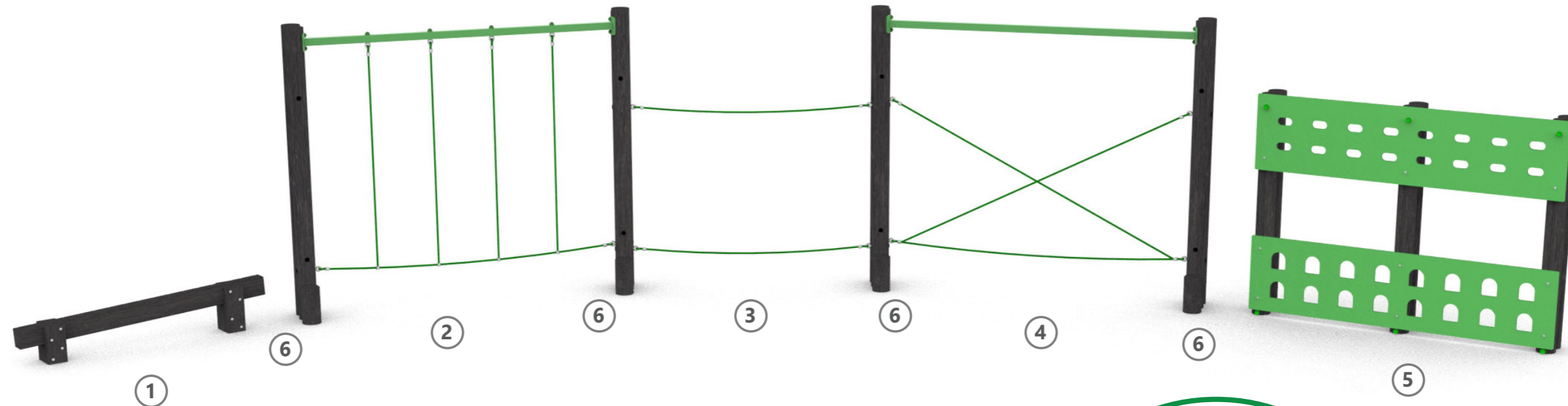
Trim Trail Package D



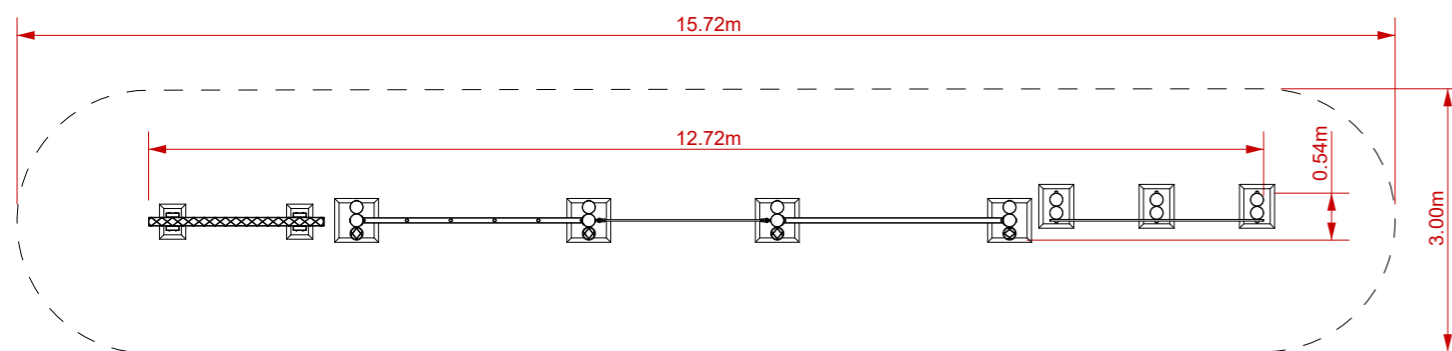
INSPIRE PLAY

Adventure fitness trails or trim trails are a great way to get the kids active. They make a great addition to school playing fields and can include a range of activities that help develop balance, hand-eye coordination and physical strength. We can also include activity trails as part of a complete playground scheme providing extra activities without exceeding your budget.

The difficulty level of fitness trail equipment can be tailored to different age groups. We recommend that fitness/activity trails for younger children consist of balancing and coordination activities. Juniors (KS2 & KS3) will get more enjoyment from physical challenges like our A Frame Cargo nets and climbers.



Plan View



Trim Trail Items:

1. Inclined Balance Beam
2. Rope Weave Traverse
3. Traverse Ropes
4. Cross Rope Traverse
5. Double Traverse Wall
6. Stepping stones (set of four)

Product Specification:

Dimensions: L: 12.72m W: 0.54m H: 2.35m
Age Range: 5+ years
Play Type: Active
Free Fall Height: 0.60m
Free Space Required: L: 15.72m W: 3.00m

Safety Surfacing Area: 45.2m²
Assembly: Installation Required
Mass of Heaviest Part: kg
Dimensions of Largest Part: L: 3.05m W: 0.15m
Conformity to EN1176: Yes



INSPIRE PLAY

Units 10 & 11
 Stonegravels Lane
 Chesterfield
 S41 7LF

T: 01832 275902
 E: sales@inspireplay.co.uk
 www.inspireplay.co.uk