

Play Trail: Suspension Bridge

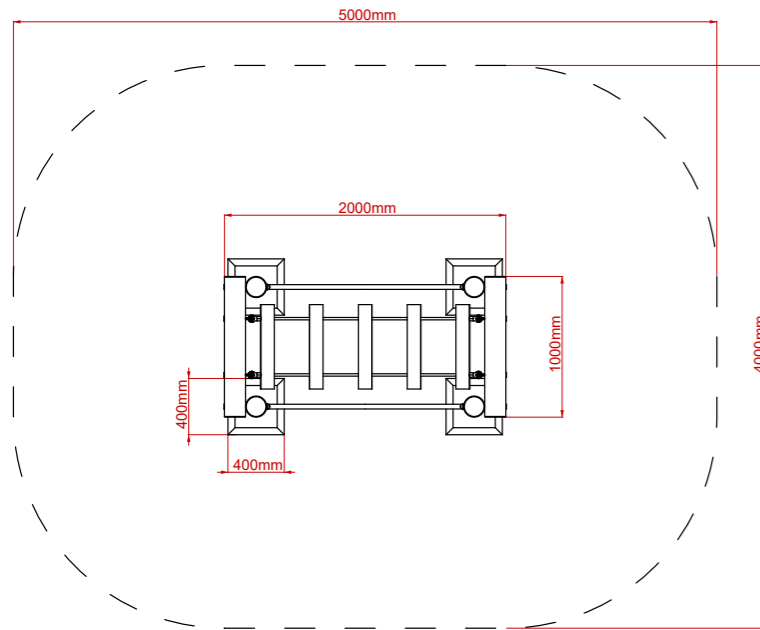
Product Description:

Suspension bridge

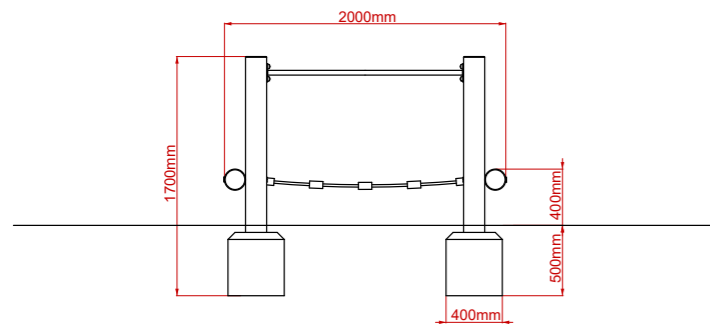


INSPIRE PLAY

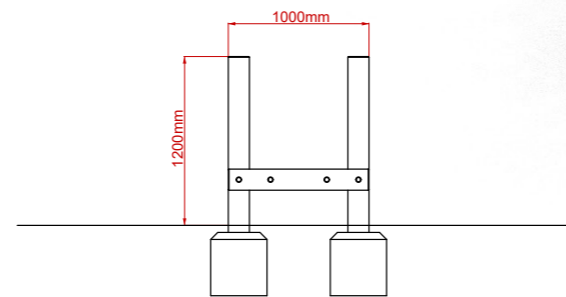
Plan View



Side View



End View



Product Specification:

Dimensions: L: 2.00m W: 1.00m H: 1.20m
Age Range: 5+ years
Play Type: Active
Free Fall Height: 0.40m
Free Space Required: L: 5.00m W: 4.00m

Safety Surfacing Area: 18m²
Assembly: Installation Required
Mass of Heaviest Part: kg
Dimensions of Largest Part: L: 1.70m W: 0.15m
Conformity to EN1176: Yes



INSPIRE PLAY

Units 10 & 11
 Stonegravels Lane
 Chesterfield
 S41 7LF

T: 01832 275902
 E: sales@inspireplay.co.uk
 www.inspireplay.co.uk

Date: 03/11/2022 Drawn By: JE