

Play Trail: Mud Kitchen

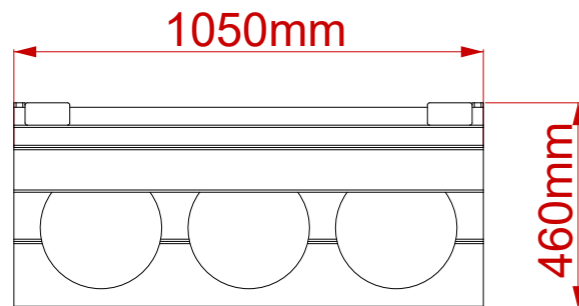
Product Description:

Mud Kitchen

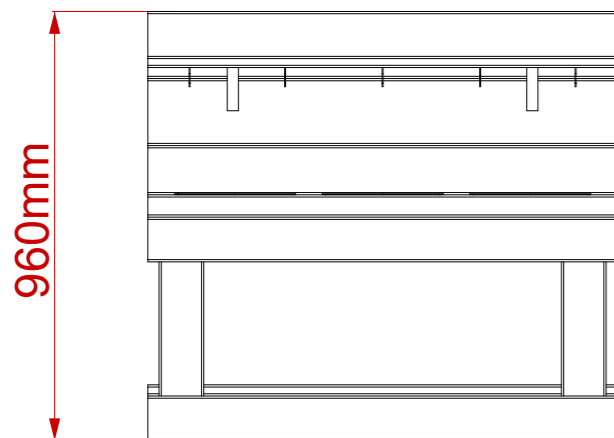


INSPIRE PLAY

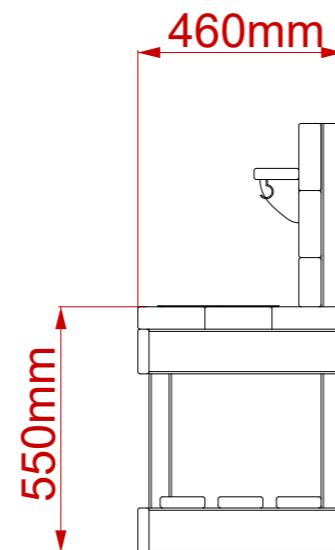
Plan View



Side View



End View



Product Specification:

Dimensions: L: 1.05m W: 0.46m H: 0.96m
Age Range: 0+ years
Play Type: Active
Free Fall Height: 0.55m
Free Space Required: L: 2.00m W: 1.00m

Safety Surfacing Area: 0m²
Assembly: Installation Required
Mass of Heaviest Part: kg
Dimensions of Largest Part: L: 1.05m W: 0.46m
Conformity to EN1176: Yes



INSPIRE PLAY

Units 10 & 11
Stonegravels Lane
Chesterfield
S41 7LF

T: 01832 275902
E: sales@inspireplay.co.uk
www.inspireplay.co.uk

Date: 08/12/2022 Drawn By: JE